

CPVC Pipe & Threaded Fittings

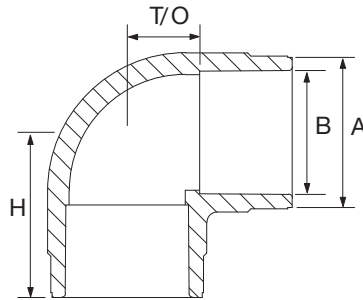
CPVC Fittings

90° Elbow



Sizes	DN20 thru DN80 (3/4" thru 3")
Approvals	UL, C-UL Listed & FM, MEA, NSF, & LPCB Approved
Rated Pressure	12,1 bar (175 psi)
Maximum Temperature Rating	65°C (150°F).
Tech Data Sheet	TFP1915 and Installation Handbook - IH-1900

Manufactured with Lubrizol's BLAZEMASTER® compound ■ Produced from BlazeMaster® thermoplastic compound, RAPID RESPONSE CPVC fittings are designed exclusively for use in wet and dry pipe automatic fire sprinkler systems. ■ Our CPVC is easier to install than traditional steel components, while providing superior heat resistance and strength compared to traditional CPVC and PVC fitting materials.



CPVC 90° Elbow											
Part No.	Size		A mm	H mm	T/O mm	Weight kg	Approval Listings				
	DN	In.					LPCB	FM	UL	MEA	NSF
80025	20	3/4"	33	36	16	0.041	√	√	√	√	√
80026	25	1"	40	43	19	0.063	√	√	√	√	√
80027	32	1-1/4"	50	50	23	0.095	√	√	√	√	√
80028	40	1-1/2"	59	62	27	0.181	√	√	√	√	√
80029	50	2"	72	74	33	0.358	√	√	√	√	√
80030	65	2-1/2"	87	85	39	0.517	√	√	√	√	√
80031	80	3"	105	95	46	0.825	√	√	√	√	√